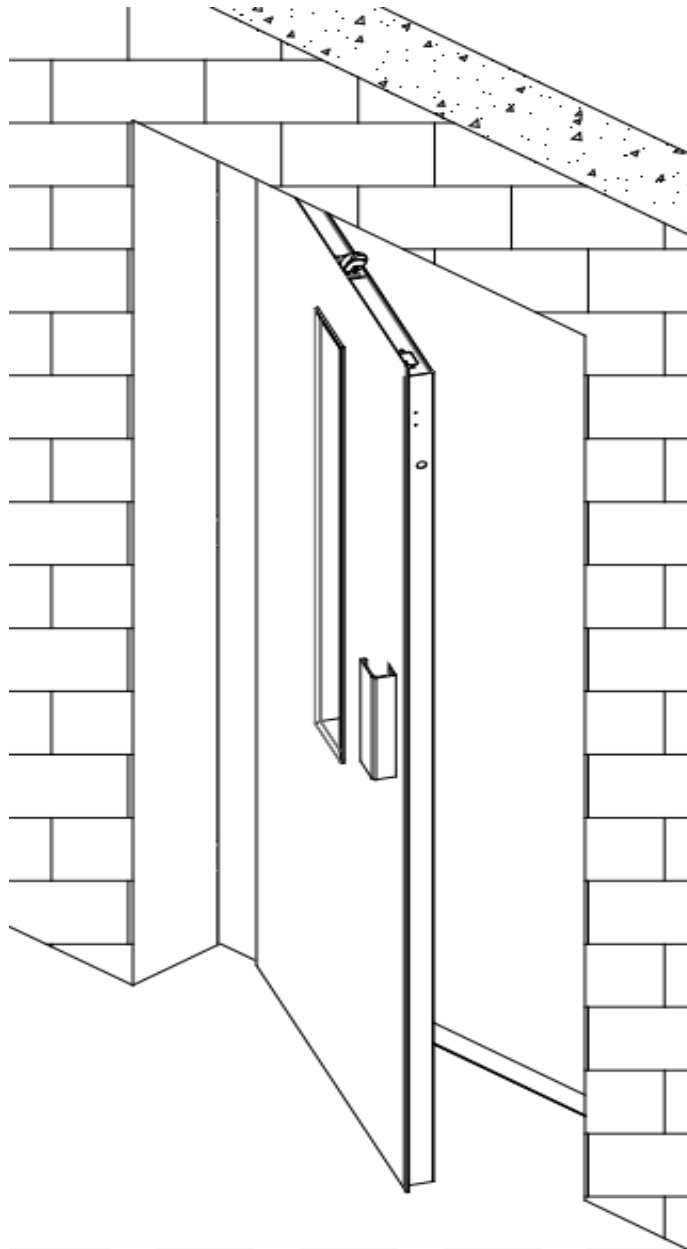


SEMI AUTOMATIC ELEVATOR LANDING DOOR INSTALLATION MANUAL



İçindekiler

Warning and Suggestions	2
1. Introduction	3
1.2. Usage Manual and Maintenance Instructions	3
1.2.1. Usage Manual	3
1.2.2. Maintenance Instruction	3
3. Parts List	5
4. Installation	6
4.1. Assembly of Landing Door Locking Device and Door Closer	6

Warning and Suggestions



For long service life and to ensure that your installation has A faultless, please read carefully and follow the introductions.

- Only the qualified staff should make the installation.
- Distribution and any partial or whole reproduction of all the instructions, information's, details and drownings which are mentioned in this Manuel requires permission from HKS HAS ASANSÖR A.Ş.
- Dimensions are given for reference. HKS HAS ASANSÖR A.Ş. keeps the right to make any changes without notice.
- The manufacturer HKS HAS ASANSÖR A.Ş. will not hold any responsibility for possible damages arising from improper use of the product.
- Keep this manual as long as you use the product.
- The warranty of these products valid for 2 years.
- Thank you for your attention and prefer our products.

1. Introduction

This guide is explaining how to assemble semi-automatic landing door which was produced by HKS Has Asansör A.Ş. Also we prepared this manual step by step to simplify installation of car frame for our valuable customer.

For easy installation please read this manual carefully before installation and follow instruction step by step. It includes important information and clues.

This guide was prepared for general car frame and counterweight model. Please contact the manufacturer for models with varying. This guide was prepared for general car frame and counterweight model. Please contact the manufacturer for models with varying.

1.1. Shipping and Storage Suggestions

- To avoid damage to the product please use forklift or pallet truck.
- Protect products against mechanical shock.
- Avoid puddle environment and protect products direct sunlight. Otherwise cause damage to the product.
- Ensure that all products are working or not missing products. If there are ,contact with the manufacturer immediately.

1.2. Usage Manual and Maintenance Instructions

1.2.1. Usage Manual

- 1) Always check whether the cabin is on the floor before entering.
- 2) When the door starts to close, do not try to open it by any means.
- 3) Carry out maintenance according to rules and standards.
- 4) Only the qualified staff should make the installation.
- 5) Keep this manual as long as life cycle.
- 6) Prevent the children younger than 12 years old to use lift by oneself.
- 7) Obey the written instructions of the installation or Maintenance Company when stuck between floors.
- 8) To prevent possible damages when handling use forklifts.
- 9) Do not try to open the doors in different ways than instructed.
- 10) Be sure that the product is not damaged in transportation.
- 11) The manufacturer HKS HAS ASANSÖR A.Ş. will not hold any responsibility for possible damages arising from improper use of the product.

1.2.2. Maintenance Instruction

- 1) Only the authorised companies' qualified staff should intervene to mechanism.

2. Semi Automatic Landing Door Dimensions

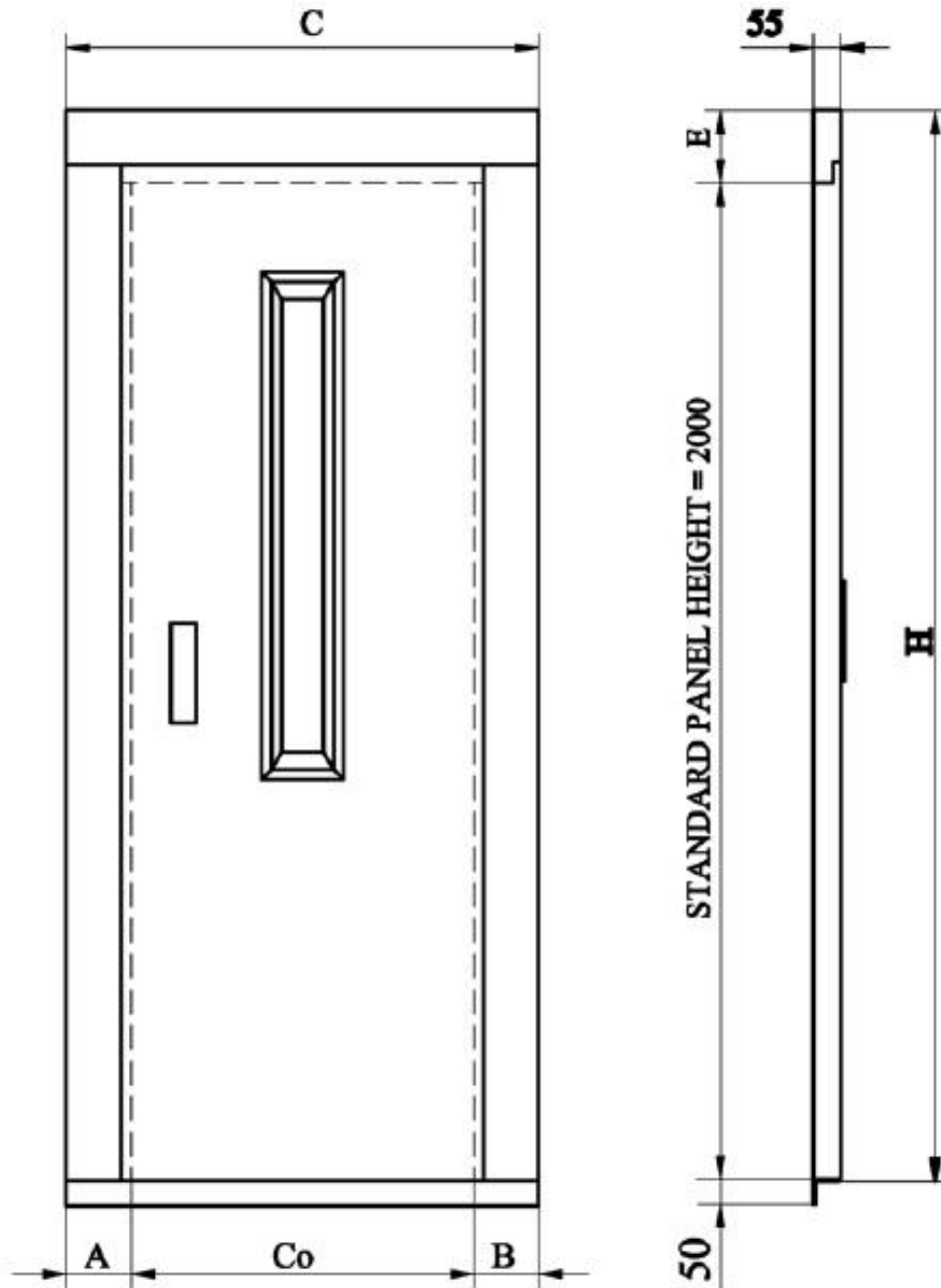


Figure 1

	Co	600	650	700	750	800	850	900	950	1000
A	Standard	130	130	130	130	130	130	130	130	130
	Min.	120	120	120	120	120	120	120	120	120
B	Standard	130	130	130	130	130	130	130	130	130
	Min.	90	90	90	90	90	90	90	90	90
C		860	910	960	1010	1060	1110	1160	1210	1260
E	Standard	130	130	130	130	130	130	130	130	130
	Min.	90	90	90	90	90	90	90	90	90
H		2135	2135	2135	2135	2135	2135	2135	2135	2135

3. Parts List

No	Part Description
1	Door Leaf
2	Door Frame
3	Door Closer
4	Door Lock
5	Bracket
6	Glazing Frame
7	Door Grib

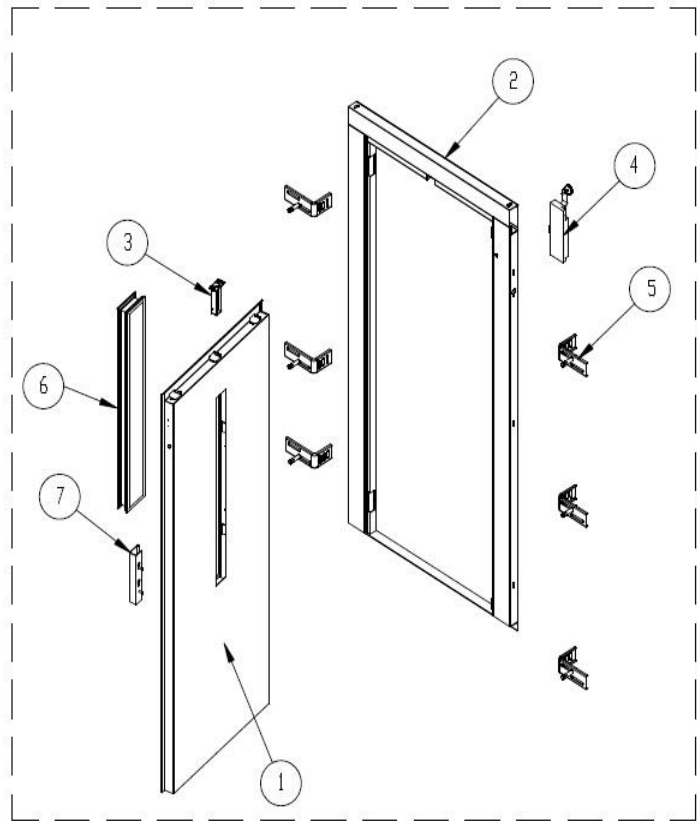


Figure 2

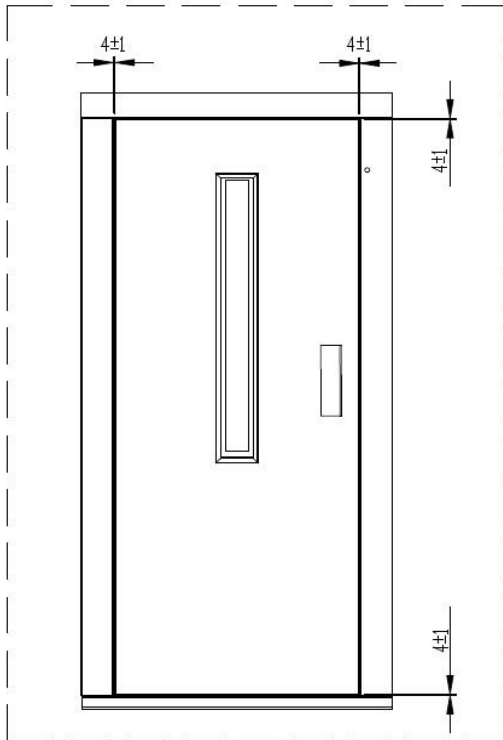


Figure 3

Adjust clearance as 4 mm between door frame and door leaf by hinge.

4. Installation

4.1. Assembly of Landing Door Locking Device and Door Closer

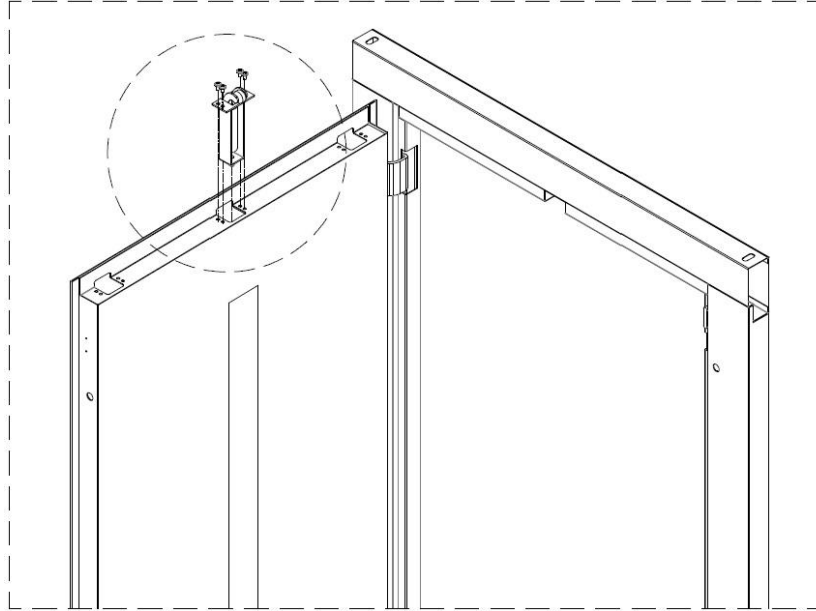


Figure 4

As it described in figure assemble door closer into the door leaf and assemble it by using screw.

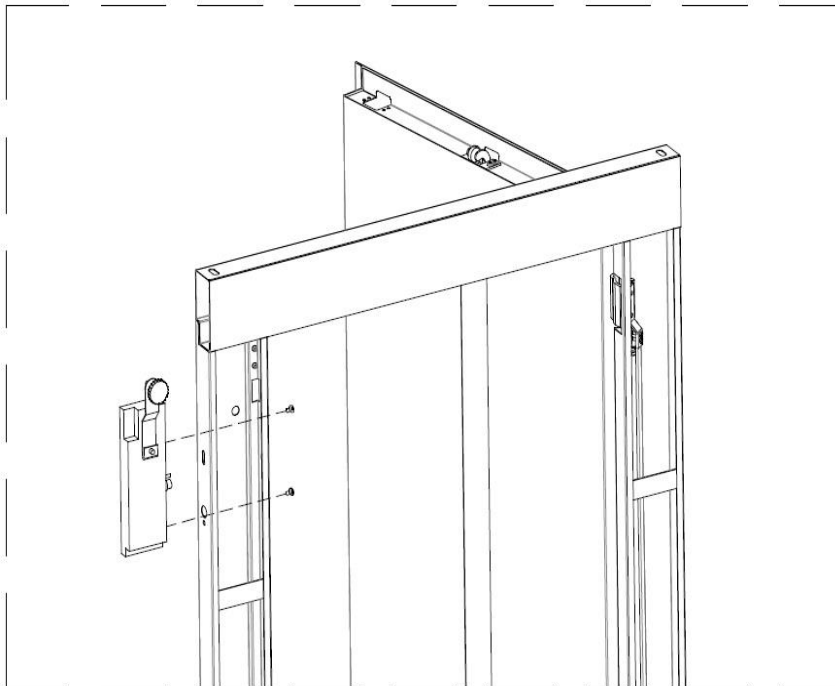


Figure 5

Ensure that placed locking device correctly into the door frame as it described in figure and then assemble by using screw.

4.2. Assembly of Brackets and Landing Door

Location of brackets is shown in figure 7. Mount brackets on wall according to in figure 7. Then as it described in figure 8 fix landing door with wall.

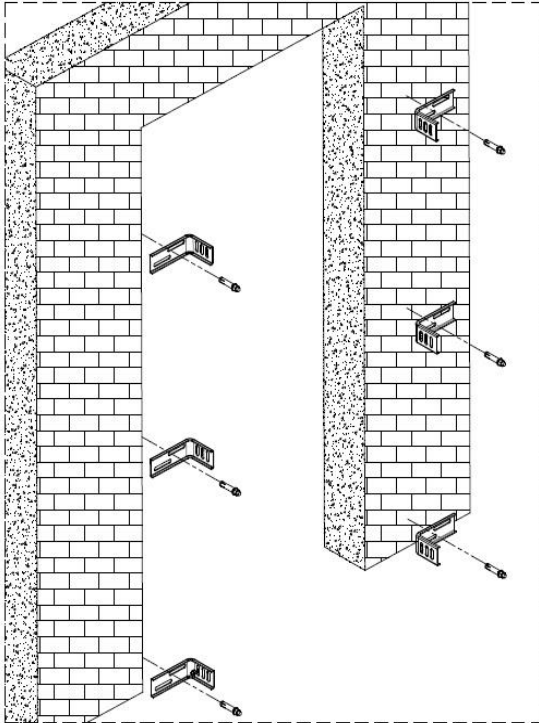


Figure 6

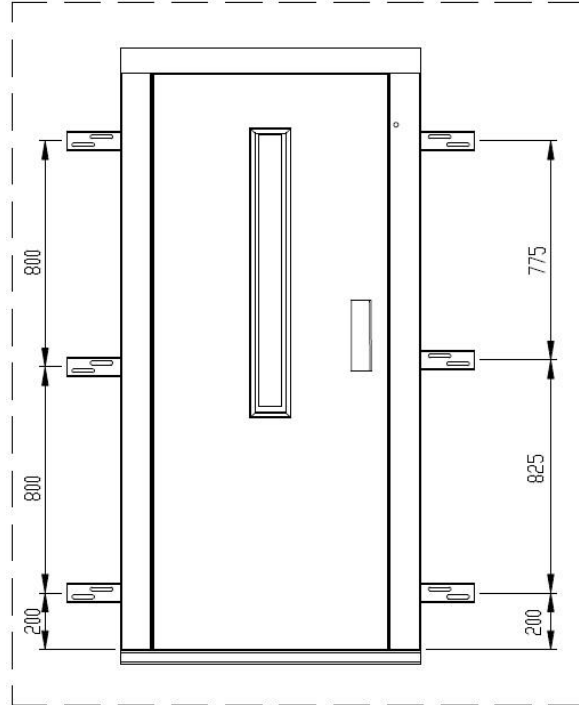


Figure 7

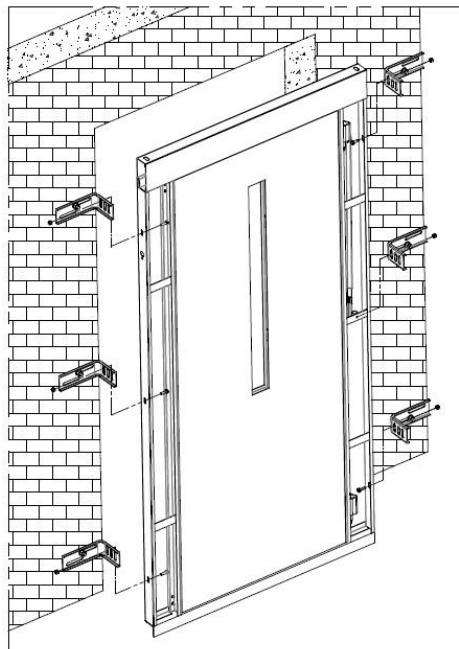


Figure 8

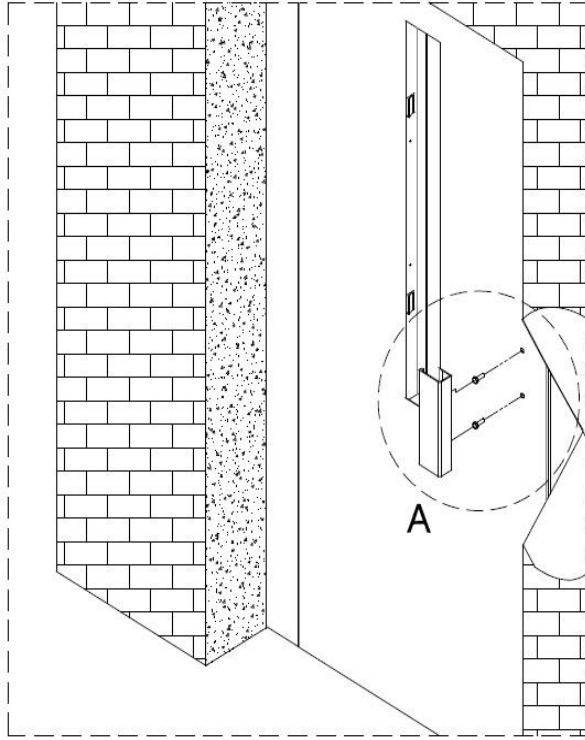


Figure 9

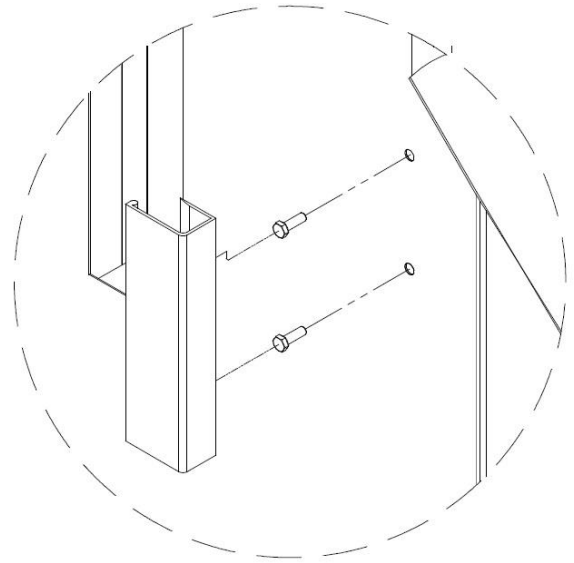


Figure 10

As it described in figures assemble aluminium door grip and glazing frame with door leaf by using fastening.

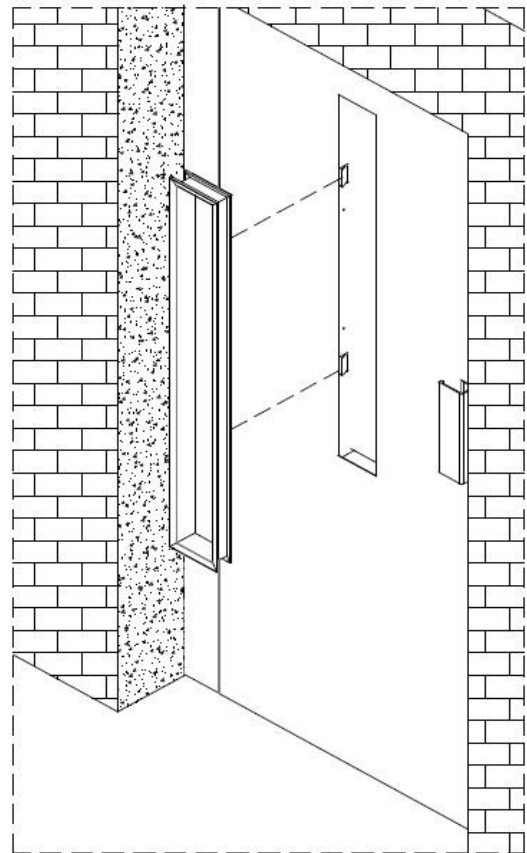


Figure 11

Ankara Caddesi 13. Km No:77 Kestel/Bursa
Tel: +90 224 373 10 00 Fax: +90 224 373 10 05
e-mail: info@hasasansor.com – www.hasasansor.com